

SIRUBA®

銀箭牌工業用縫紉機

INDUSTRIAL SEWING MACHINE

L818F-RM1

WITH TRIMMER

零件圖 PARTS LIST



From the library of: Diamond Needle Corp

CE



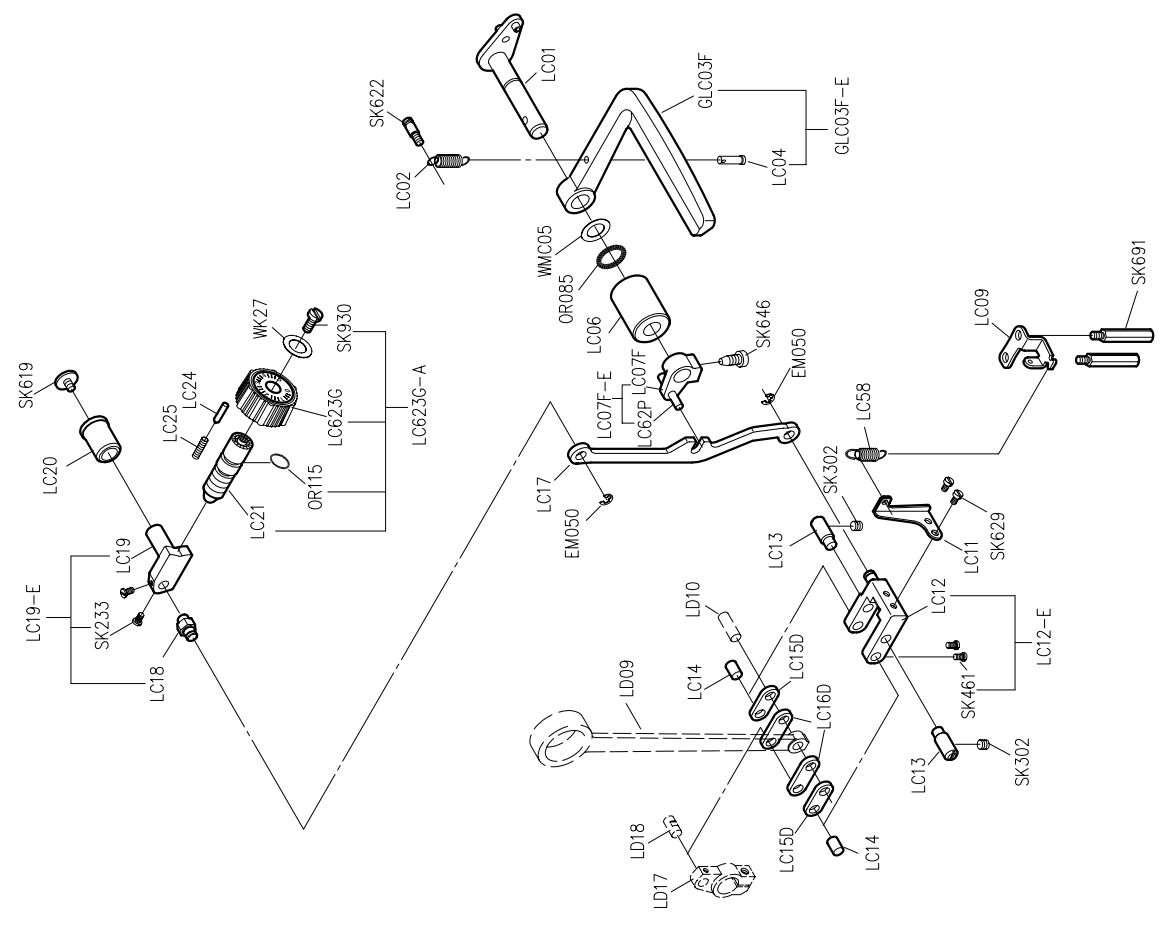
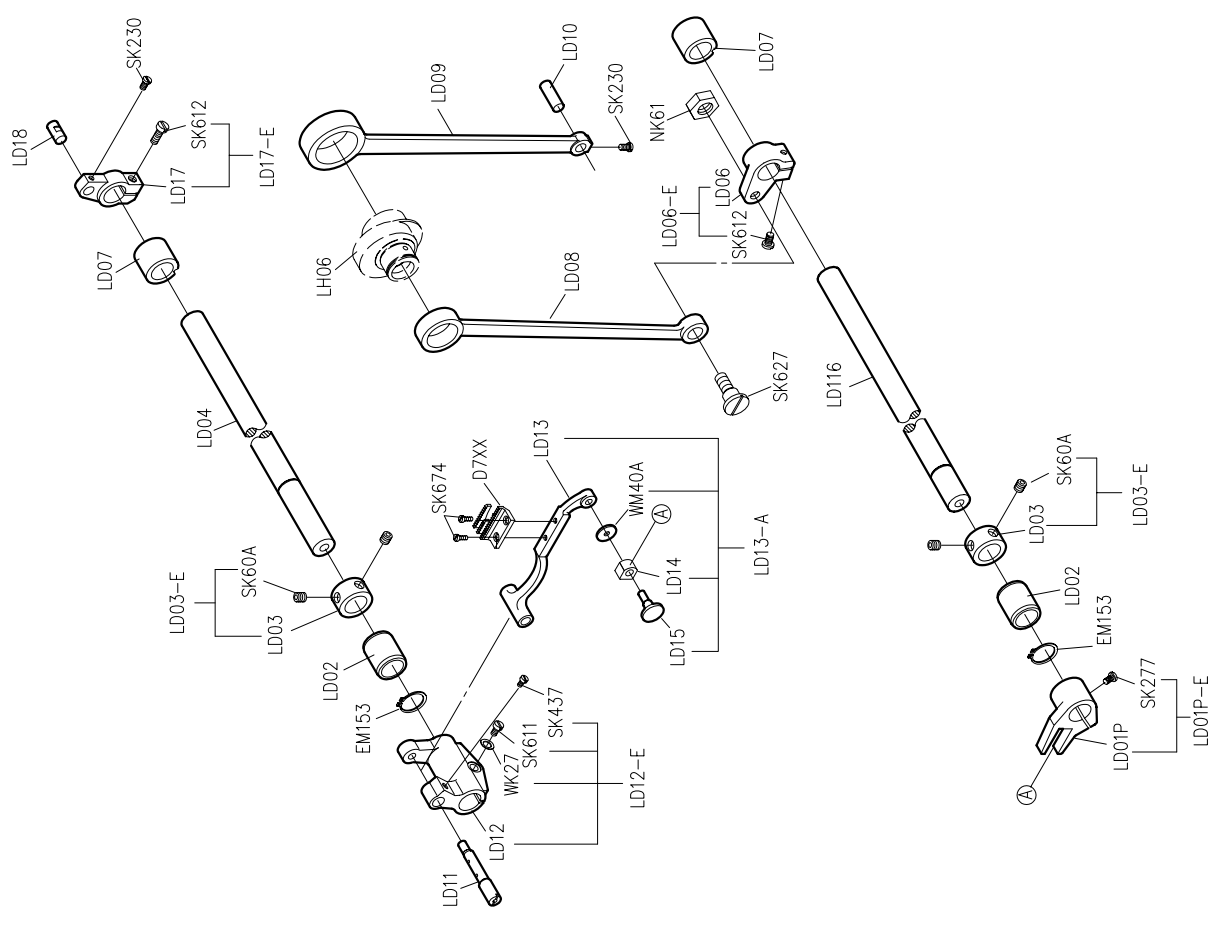
高林股份有限公司
KAULIN MFG. CO., LTD.

MODEL 機 型	SUB-CLASS 規 格	OPERATING PANEL 操作盒	GAUGE WIDTH 切邊距離	NEEDLE PLATE 針 板	FEED DOG 送 具	PRESSER FOOT 押 具	HOOK ASM 梭 頭	BOBBIN CASE ASM 梭 殼	BOBBIN 梭 子	THROAT PLATE CHIP GUARD 下導布架	NEEDLE 針 號	THREAD GUIDE 導線片	THROAT PLATE COVER 布板蓋	HAND WHEEL 皮帶輪
L818F-RM1-32-00 L818F-RM1-32-03	32	LA55F-A	1/8" (3.2mm)	E705S E705Q	D702 D705	P701 P705	G121	G202	G303	LR104D LR104DS	DB*1#14	LR141 LR141S	LR106S LR106	GLH101-A1
L818F-RM1-32-10 L818F-RM1-32-13		HL600												
L818F-RM1-40-00 L818F-RM1-40-03	40	LA55F-A	5/32" (4.0mm)	E705R E705Q	D705	P705	G121	G202	G303	LR104DS	DB*1#14	LR141S	LR106	GLH101-A1
L818F-RM1-40-10 L818F-RM1-40-13		HL600												

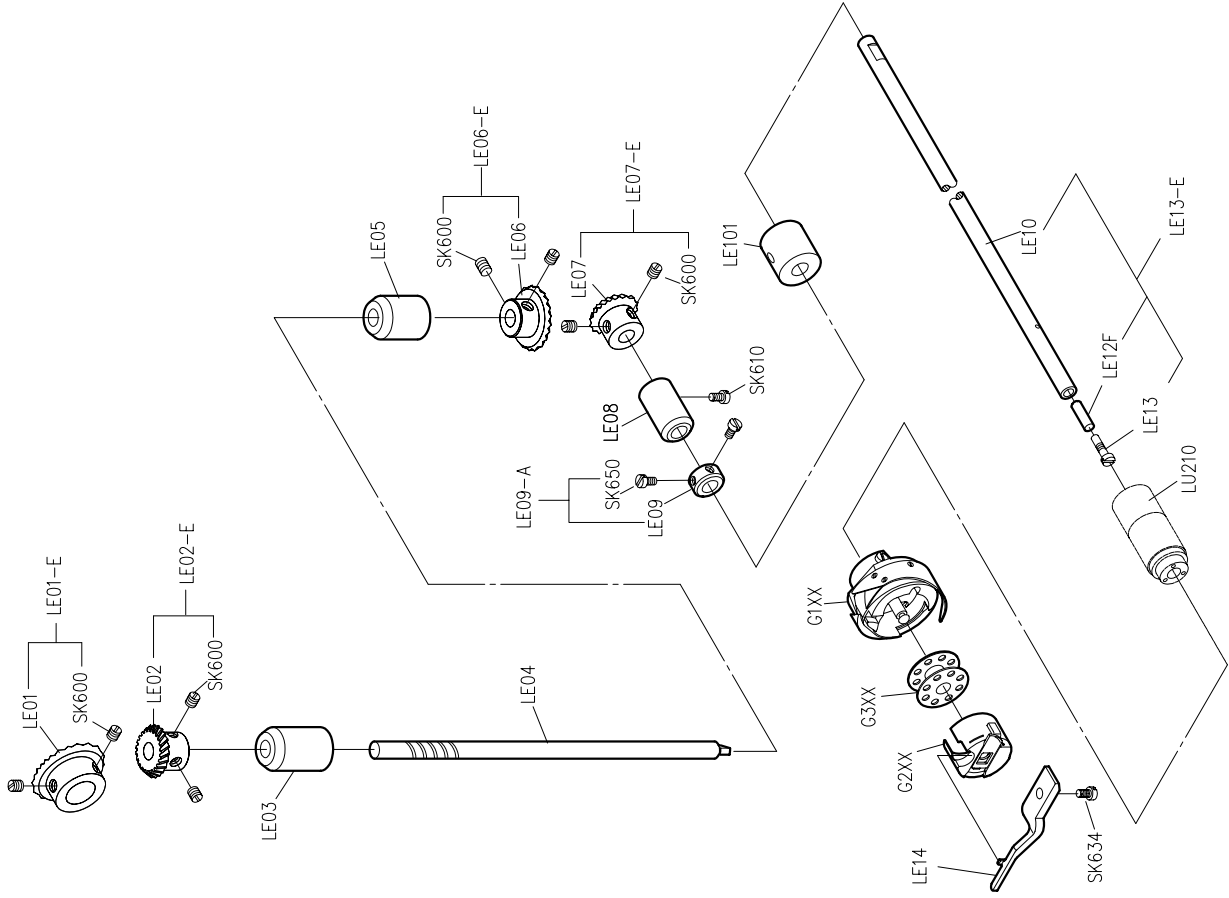
規格件表 CONVERSION CHART-2

MODEL	SUB-CLASS	OPERATING PANEL	GAUGE WIDTH	NEEDLE PLATE	FEED DOG	PRESSER FOOT	HOOK ASM	BOBBIN CASE ASM	BOBBIN	THROAT PLATE CHIP GUARD	NEEDLE	THREAD GUIDE	THROAT PLATE COVER	HAND WHEEL
機型	規格	操作盒	切邊距離	針板	送具	押具	梭頭	梭殼	梭子	下導布架	針號	導線片	布板蓋	皮帶輪
L818F-RM1-48-00	48	LA55F-A	3/16" (4.8mm)	E705 E705Q	D705	P705	G121	G202	G303	LR104DS	DB*1#14	LR141S	LR106	GLH101-A1
L818F-RM1-48-03														
L818F-RM1-48-10														
L818F-RM1-48-13														
L818F-RM1-64-00	64	LA55F-A	1/4" (6.4mm)	E705S E705Q	D702 D705	P701 P705	G121	G202	G303	LR104D LR104DS	DB*1#14	LR141 LR141S	LR106 LR106S LR106S	GLH101-A1
L818F-RM1-64-03														
L818F-RM1-64-10														
L818F-RM1-64-13														

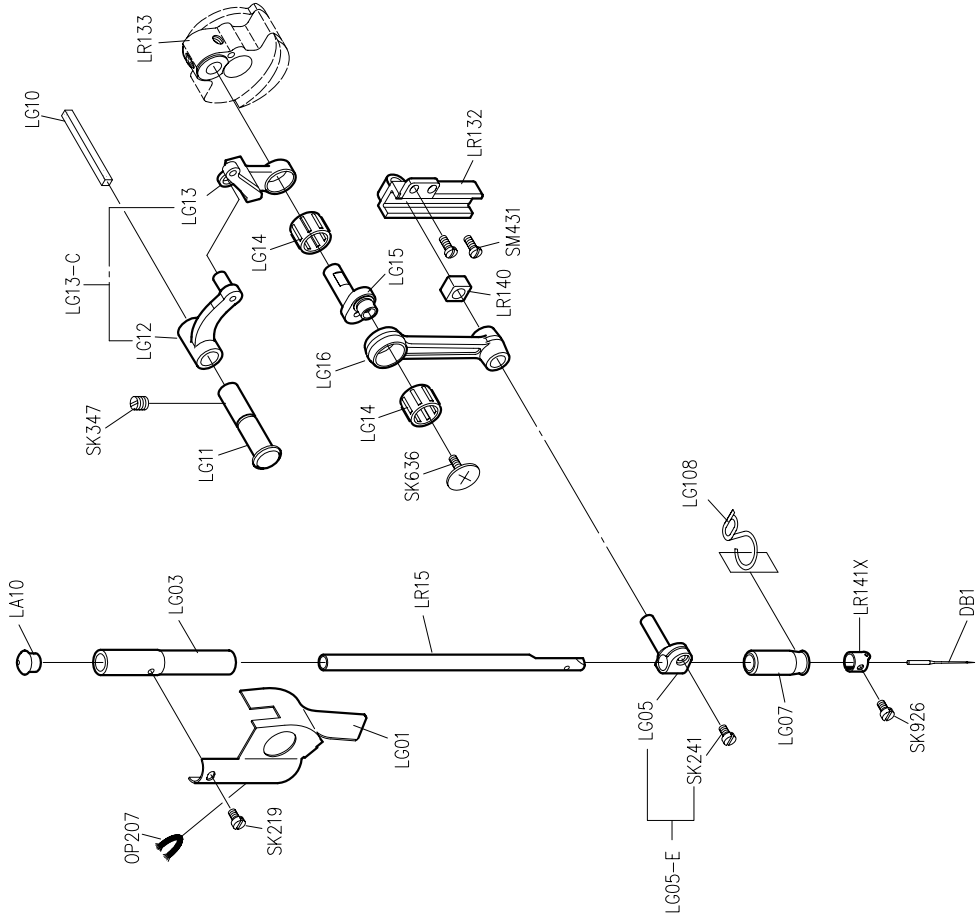
MODEL	SUB-CLASS	OPERATING PANEL	GAUGE WIDTH	NEEDLE PLATE	FEED DOG	PRESSER FOOT	HOOK ASM	BOBBIN CASE ASM	BOBBIN	THROAT PLATE CHIP GUARD	NEEDLE	THREAD GUIDE	THROAT PLATE COVER	HAND WHEEL
機型	規格	操作盒	切邊距離	針板	送具	押具	梭頭	梭殼	梭子	下導布架	針號	導線片	布板蓋	皮帶輪
L818F-RM1-95-00	95	LA55F-A	3/8" (9.5mm)	E705T E705Q	D702 D705	P701 P705	G121	G202	G303	LR104D LR104DS	DB*1#14	LR141 LR141S	LR106 LR106T	GLH101-A1
L818F-RM1-95-03														
L818F-RM1-95-10														
L818F-RM1-95-13														

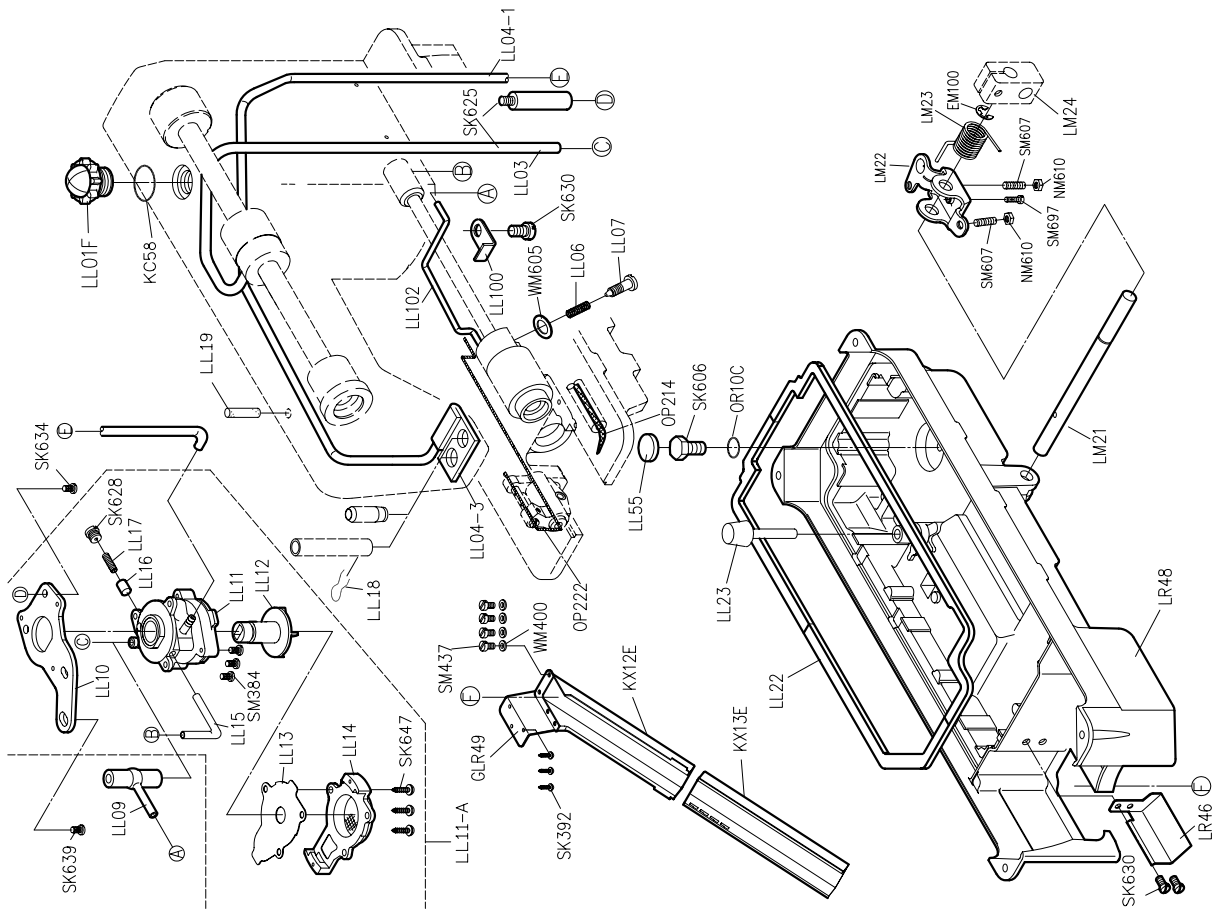
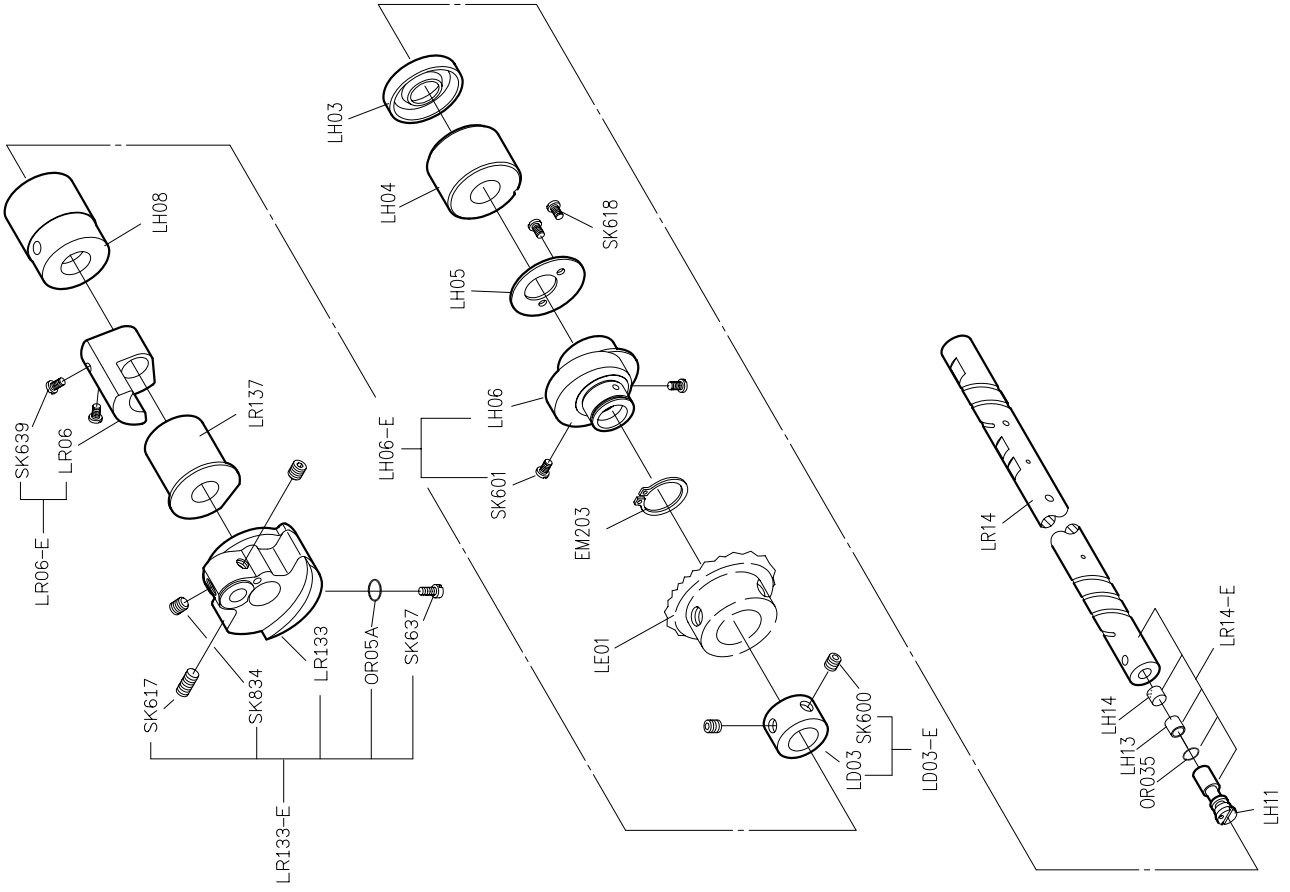


PARTS LIST FOR LE GROUP

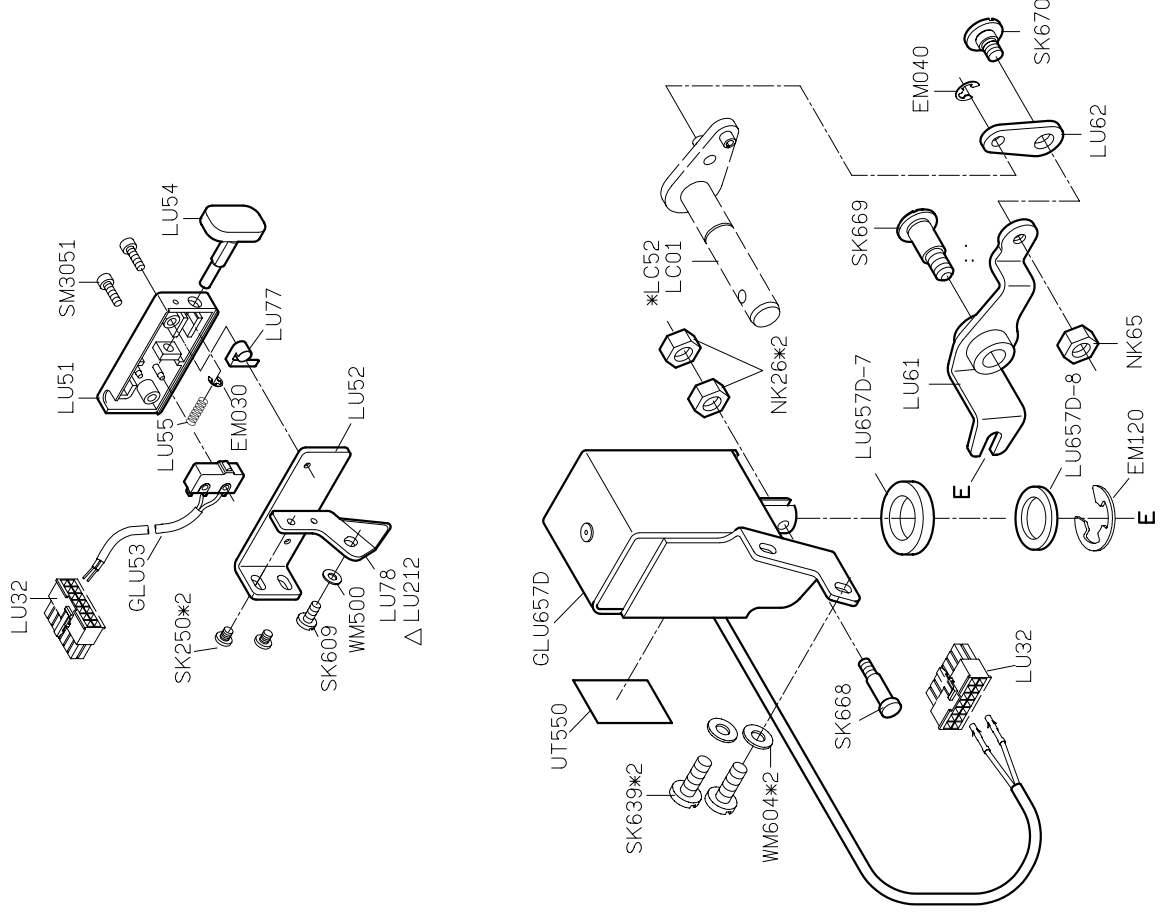


PARTS LIST FOR LG GROUP



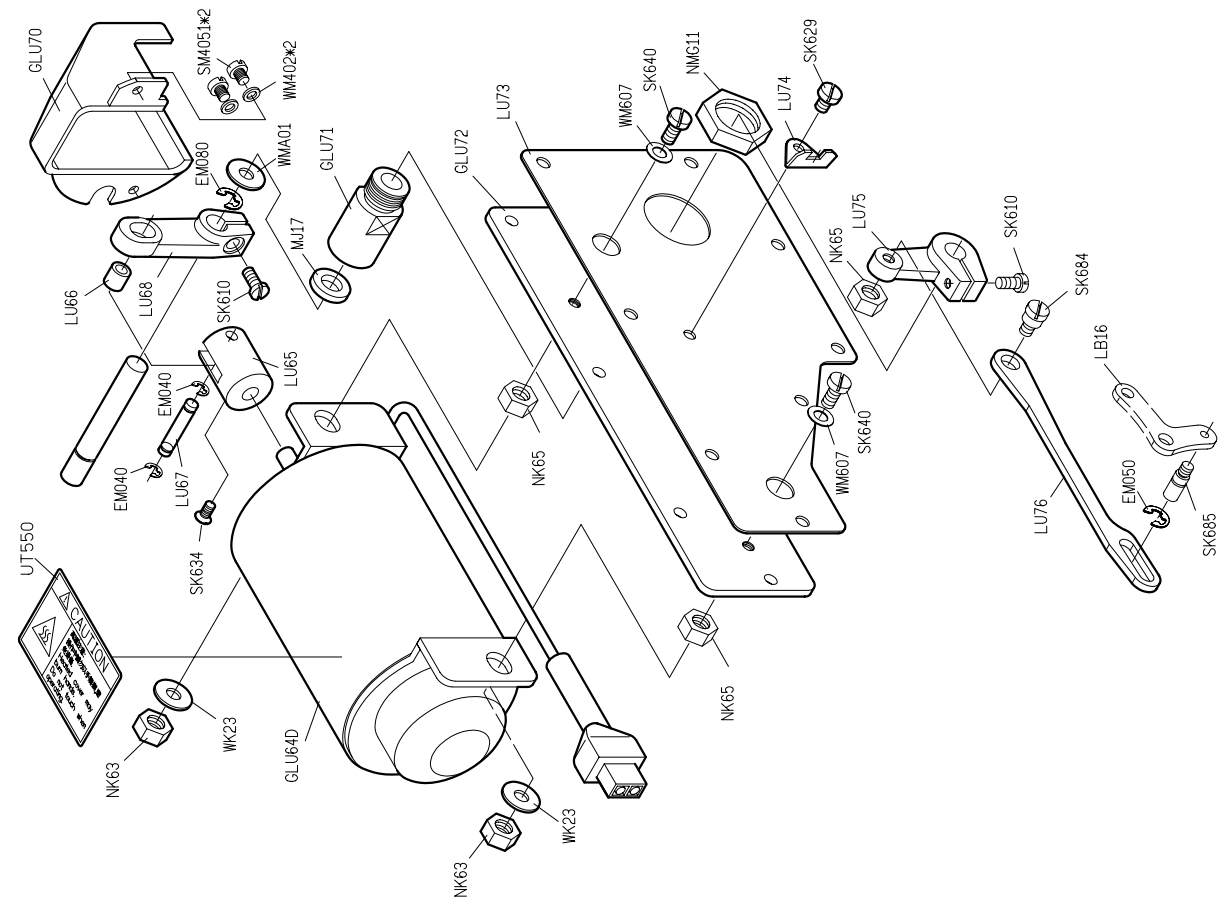


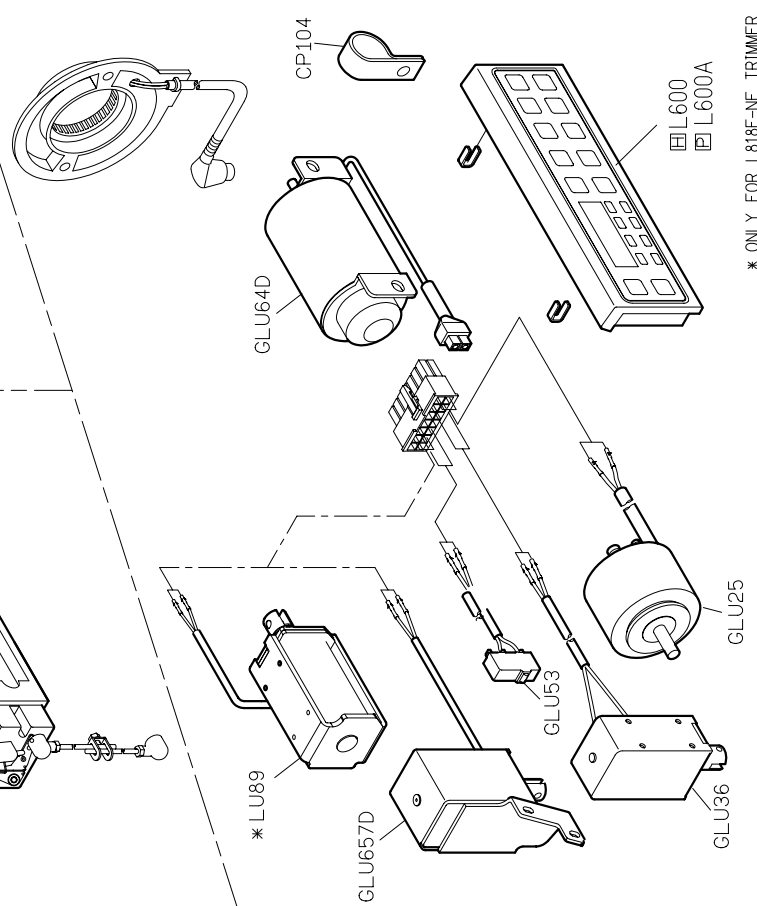
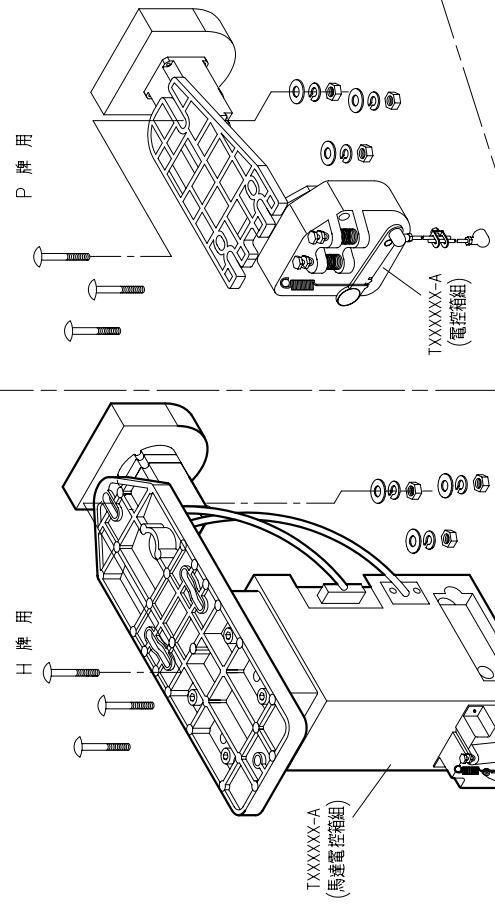
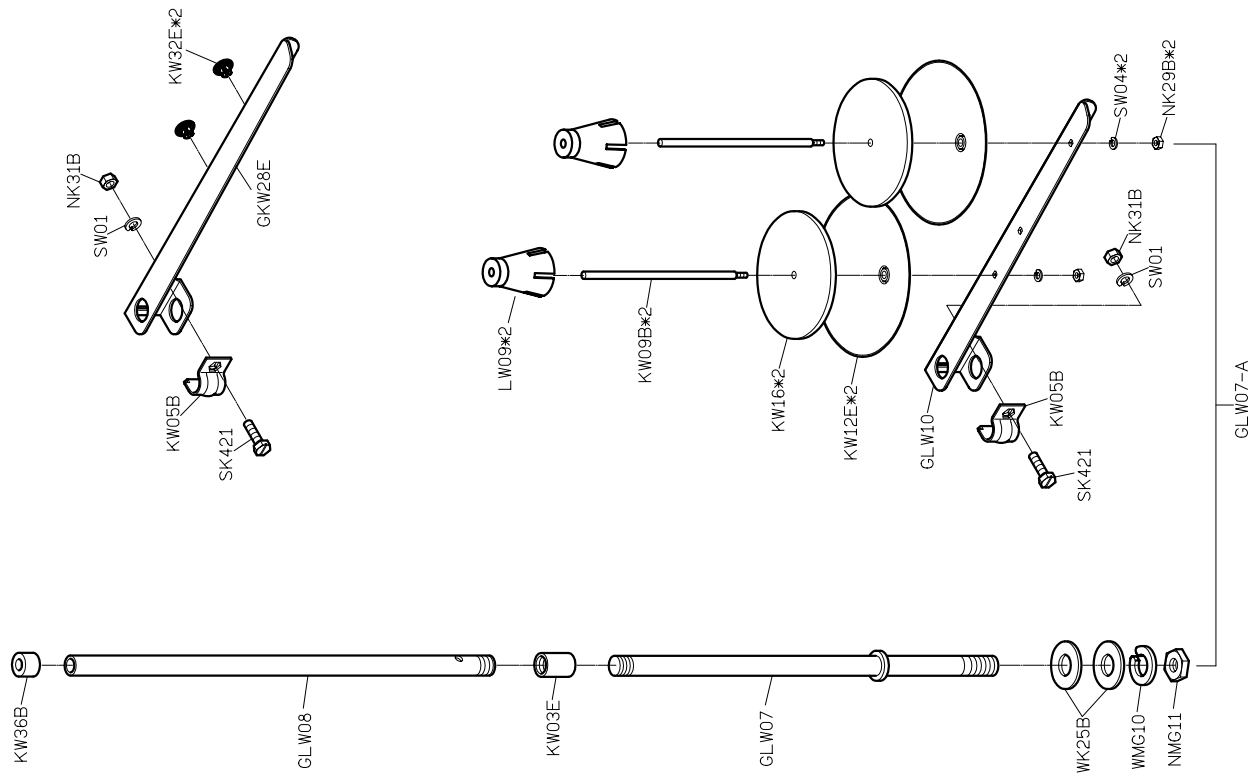
PARTS LIST FOR LU (3) GROUP



* ONLY FOR L818F-DM1 TRIMMER/L818F-DM3 TRIMMER
 △ ONLY FOR L818F-RM1 TRIMMER

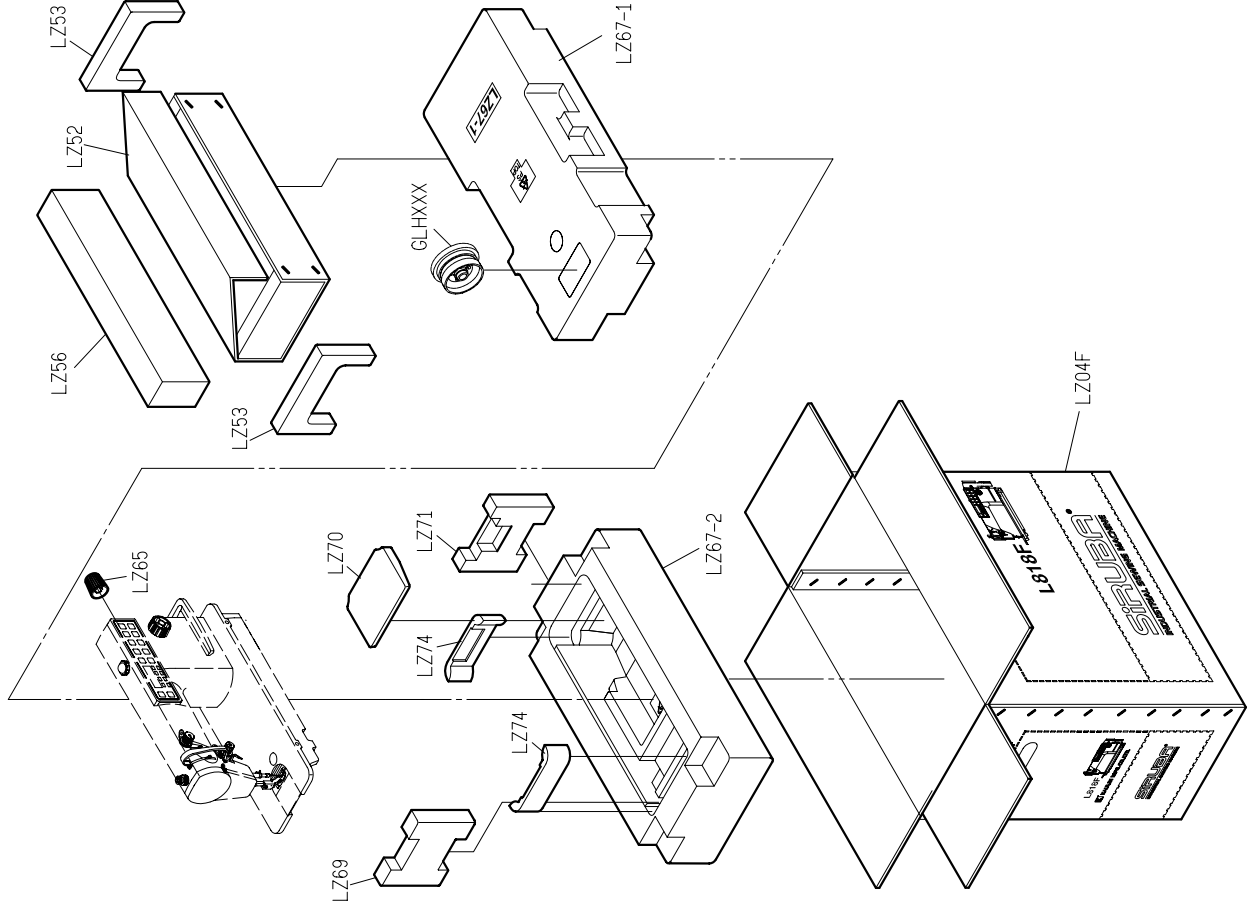
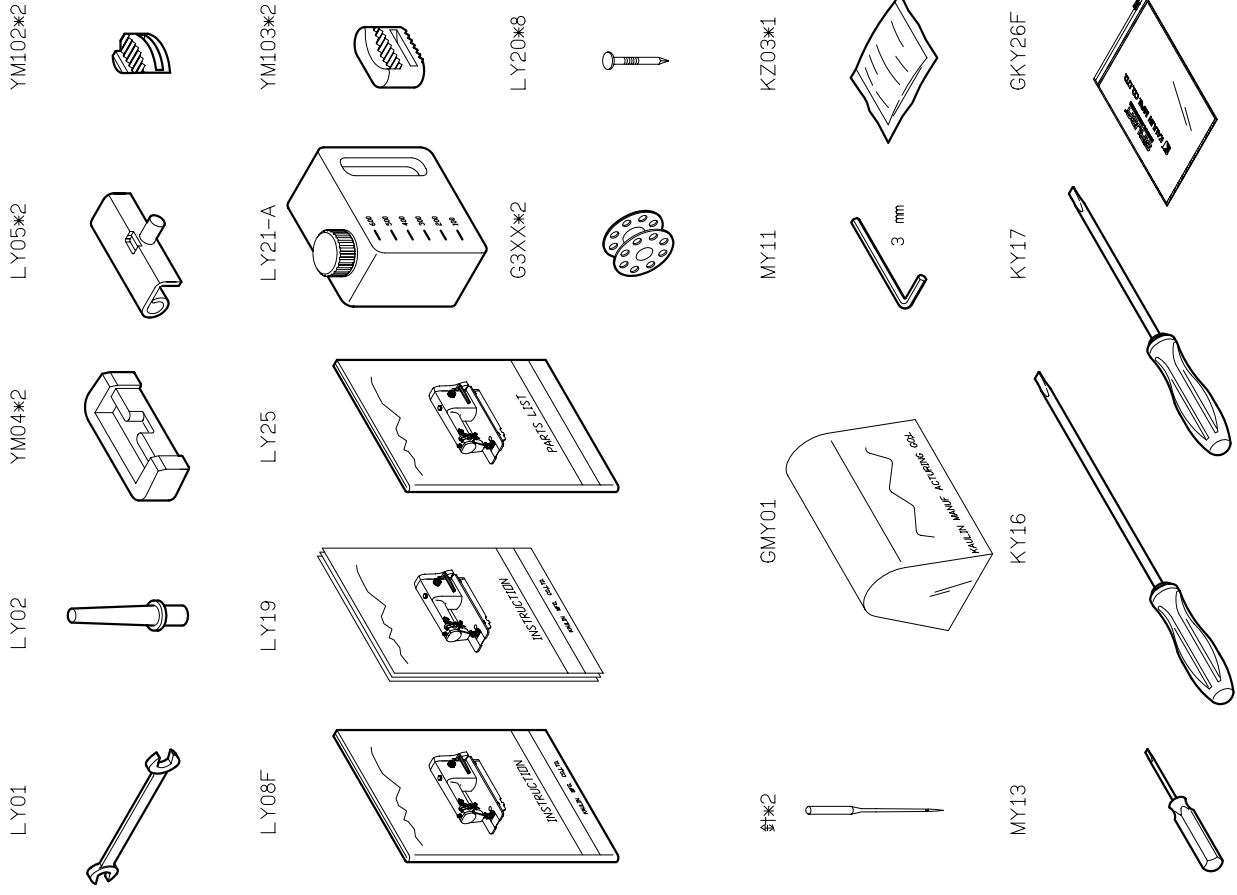
PARTS LIST FOR LU (4) GROUP





PARTS LIST FOR LY GROUP

PARTS LIST FOR LZ GROUP





L818F-RM1

WITH TRIMMER

高林股份有限公司 KAULIN MFG. CO., LTD.

From the library of: Diamond Needle Corp